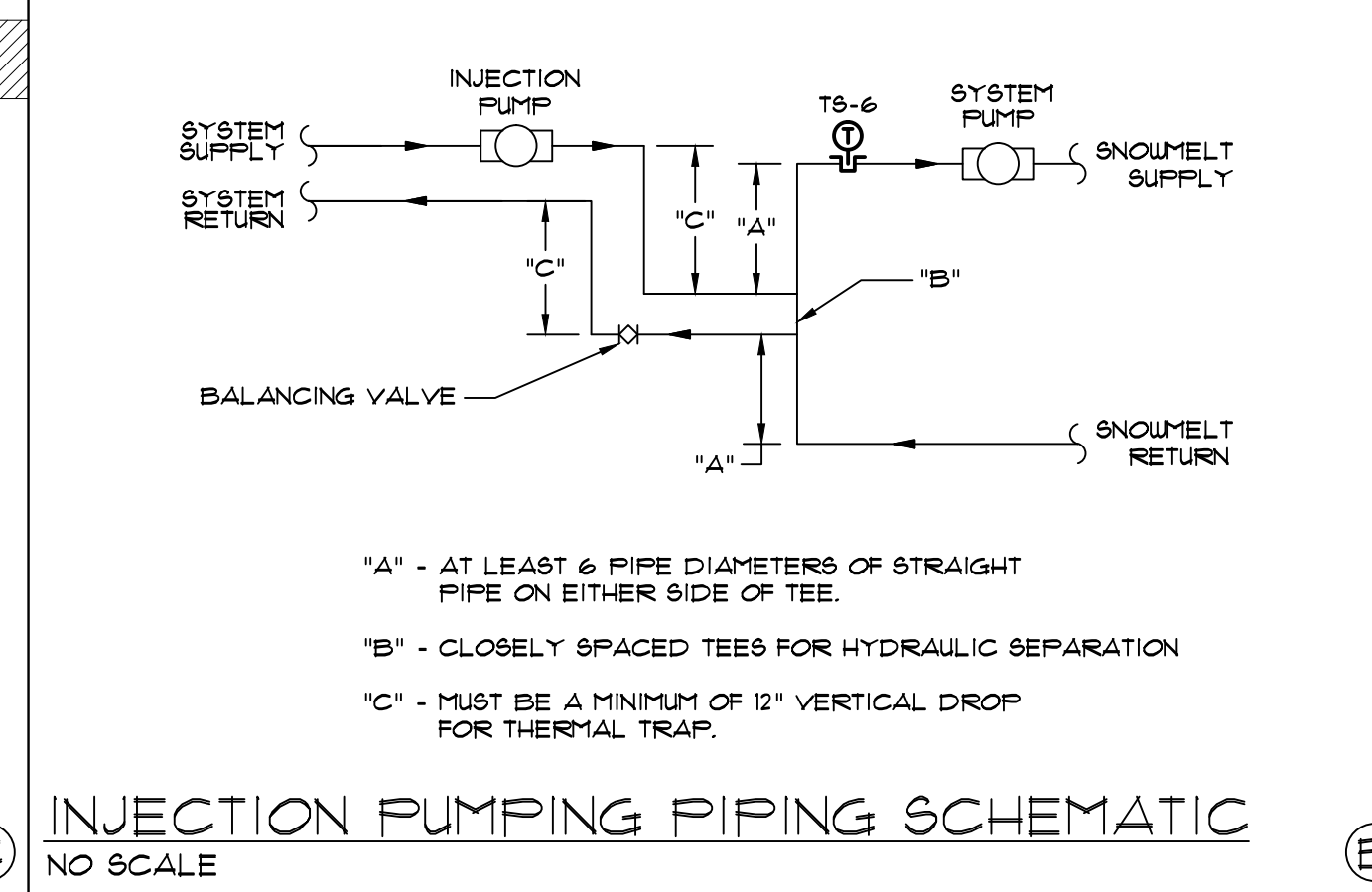
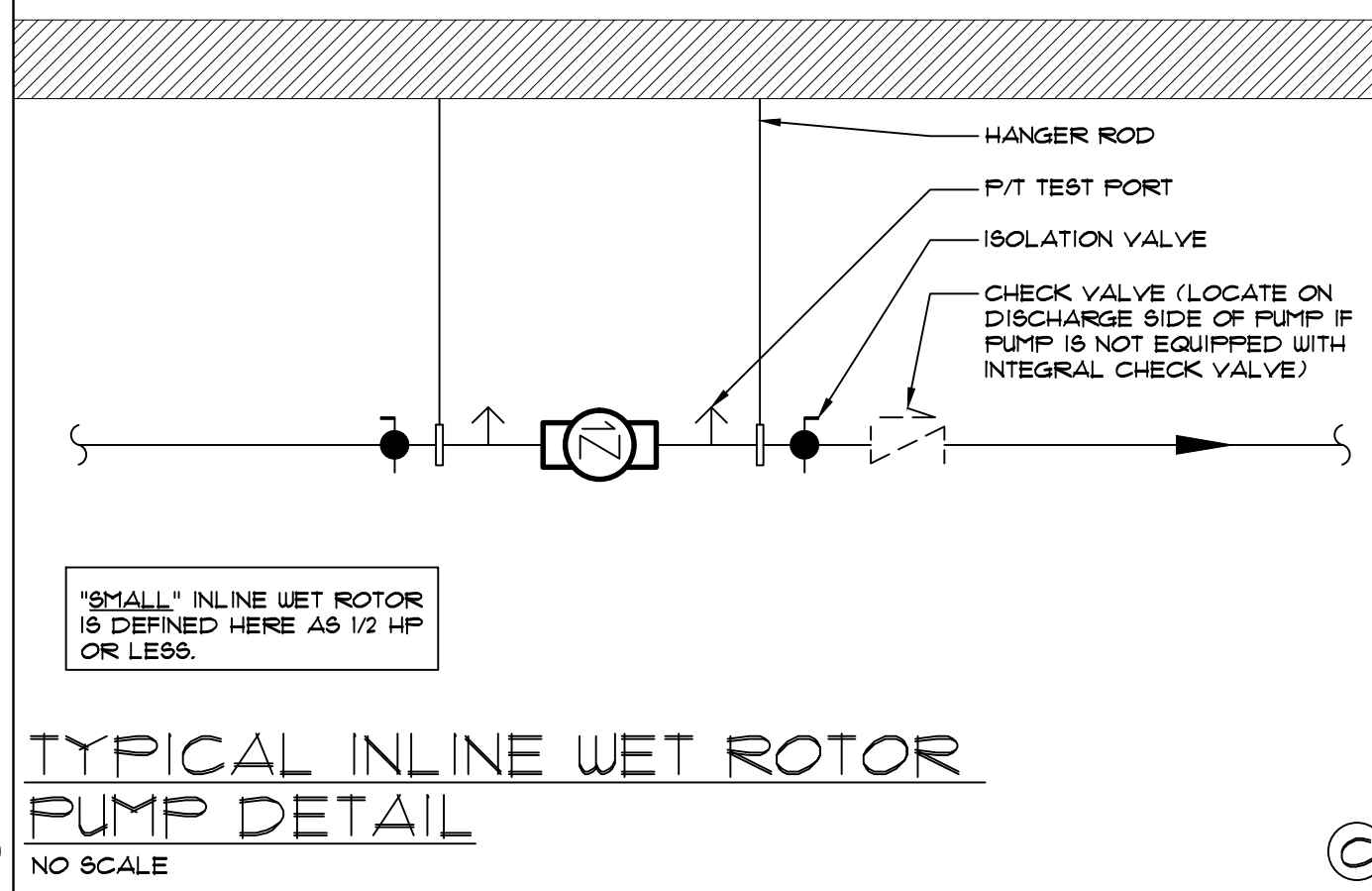
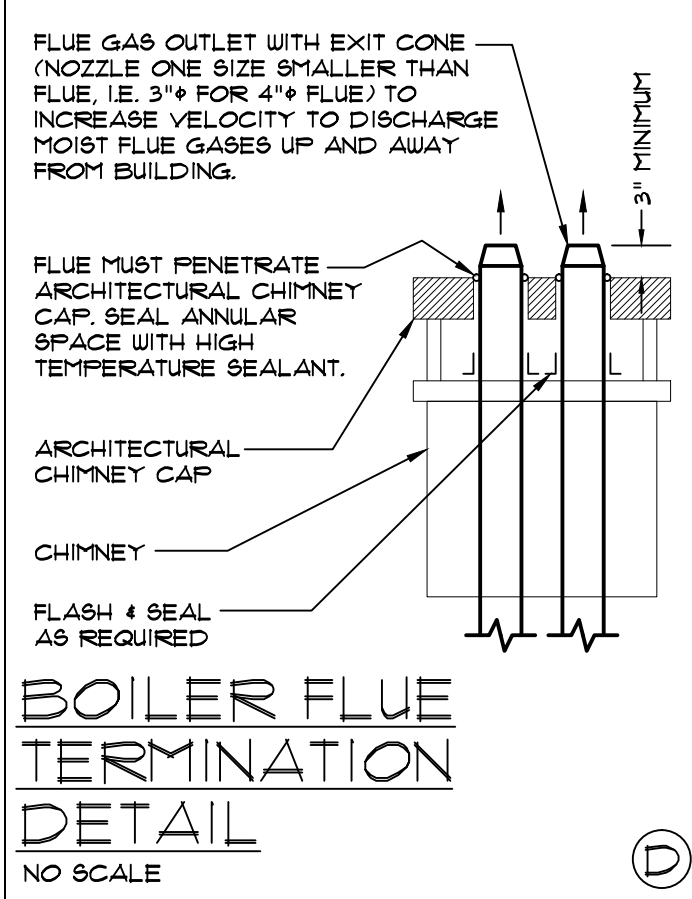
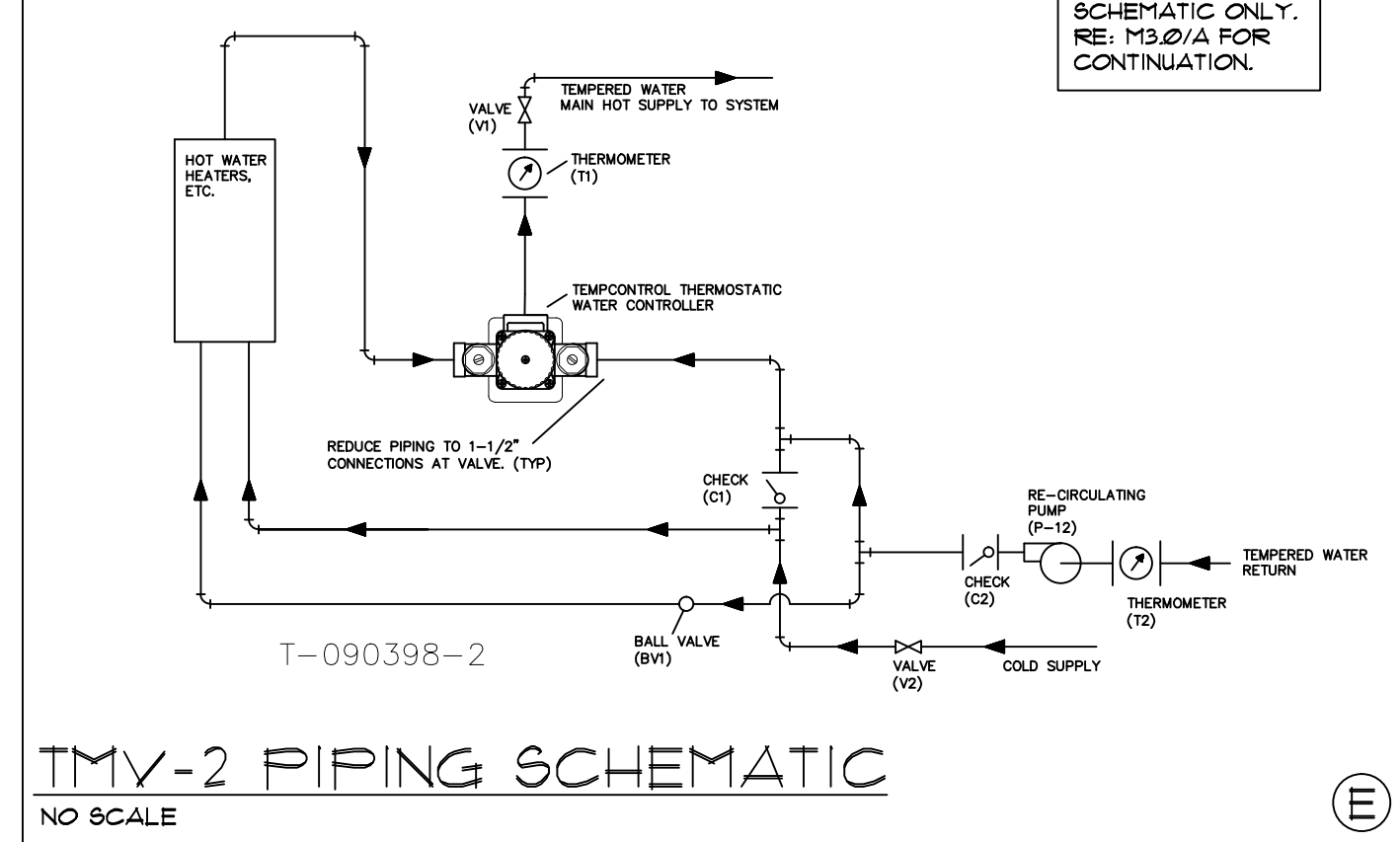


NOTE:
 EXISTING BOILERS, PIPING, & VENTING EQUIPMENT PREVIOUSLY SERVING THESE LOADS ARE TO BE REMOVED INCLUDING (4) STAND ALONE BOILER PLANTS FOR THE SPA, POOL, SNOWMELTING, AND DOMESTIC HOT WATER WITH TOTAL INPUT OF 2955 MBH. THE PROPOSED SYSTEM HAS A TOTAL INPUT OF 2400 MBH.

THIS BOILER SYSTEM SERVES DOMESTIC HOT WATER, SNOWMELT, SPA HEATING AND POOL HEATING FOR BUILDING B.

**BUILDING B
 BOILER PIPING SCHEMATIC**
 NO SCALE



Town of Vail Stamp

RADER
 ENGINEERING • COMFORT SYSTEMS
 40690 HIGHWAY 6 SUITE E1
 P.O. BOX 8610 AVON CO. 81620
 (970) 845-1910 / FAX: (970) 845-1522

FE Stamp

COLORADO LICENSED
 OFFICE 3/2/16
 50002
 PROFESSIONAL ENGINEER

**NORTHWOODS BOILER REPLACEMENT
 BUILDING B
 600 VAIL VALLEY DRIVE
 VAIL, COLORADO 81657**

Issued For

No.	Date	Comment
3	5/1/15	PERMIT
4	6/12/15	PERMIT REVISION
5	1/24/16	COORDINATION
6	1/30/16	PERMIT REVISION 2
7	8/31/15	REVISION 3
8	9/28/15	REVISION 4
9	3/2/16	REVISION 5

MECHANICAL SCHEMATICS

NORTH

Project No. 1501100	Scale: N/A
Drawn By: JAH	Checked By: JDR

M3.0

ANY CHANGES AND/OR DEVIATIONS FROM THESE PLANS WITHOUT WRITTEN APPROVAL BY THE ENGINEER RELEASE THE ENGINEER FROM ANY FUTURE LIABILITY OR RESPONSIBILITY TO THIS BUILDING. RADER ENGINEERING, INC. EXPRESSLY RESERVE THE COMMON LAW COPYRIGHT AND OTHER PROPERTY RIGHTS TO THESE PLANS. THIS DRAWING MAY NOT BE REPRODUCED OR PRODUCTIONS THEREOF USED WITHOUT WRITTEN PERMISSION FROM THE ENGINEER. © COPYRIGHT 2015 RADER ENGINEERING, INC.