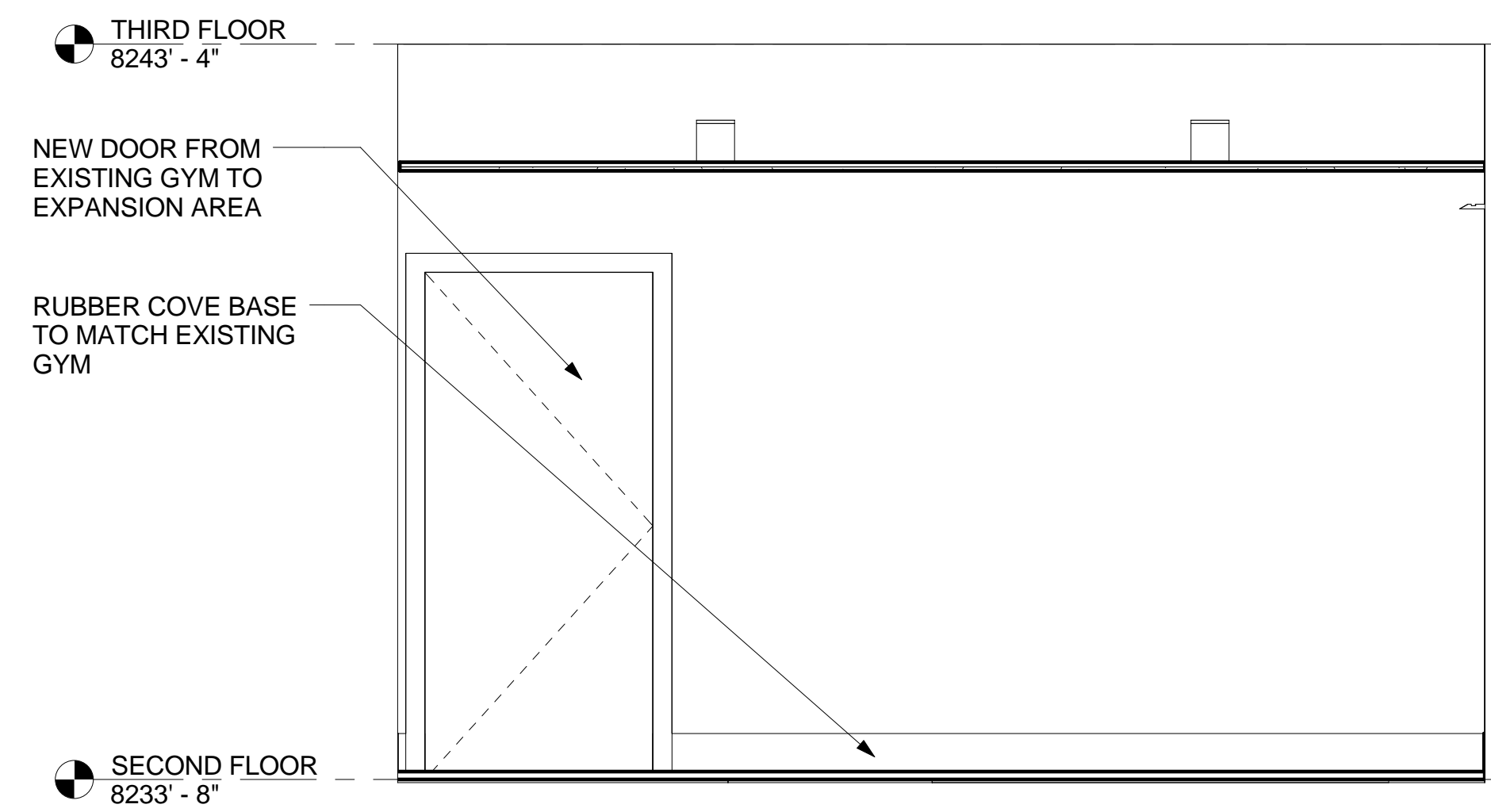
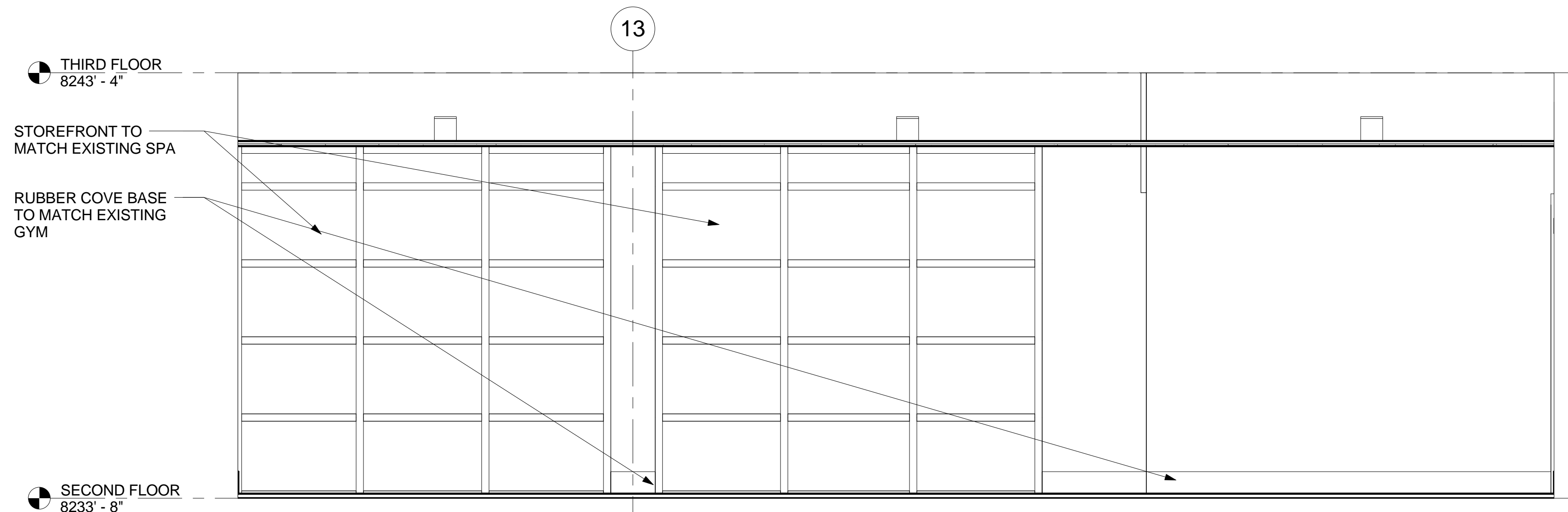


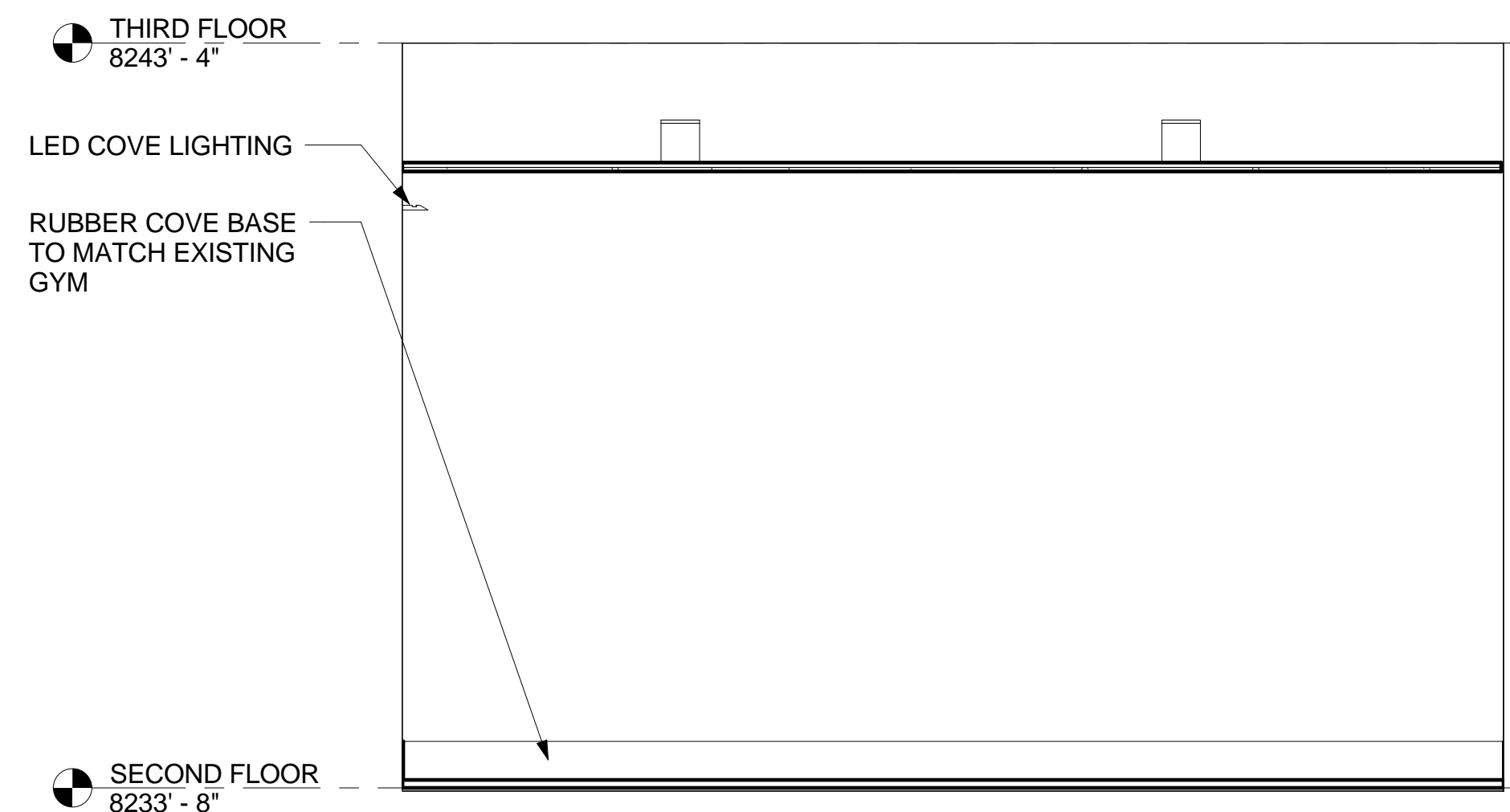
1 GYM EXPANSION - NORTHEAST  
A202 1/2" = 1'-0"



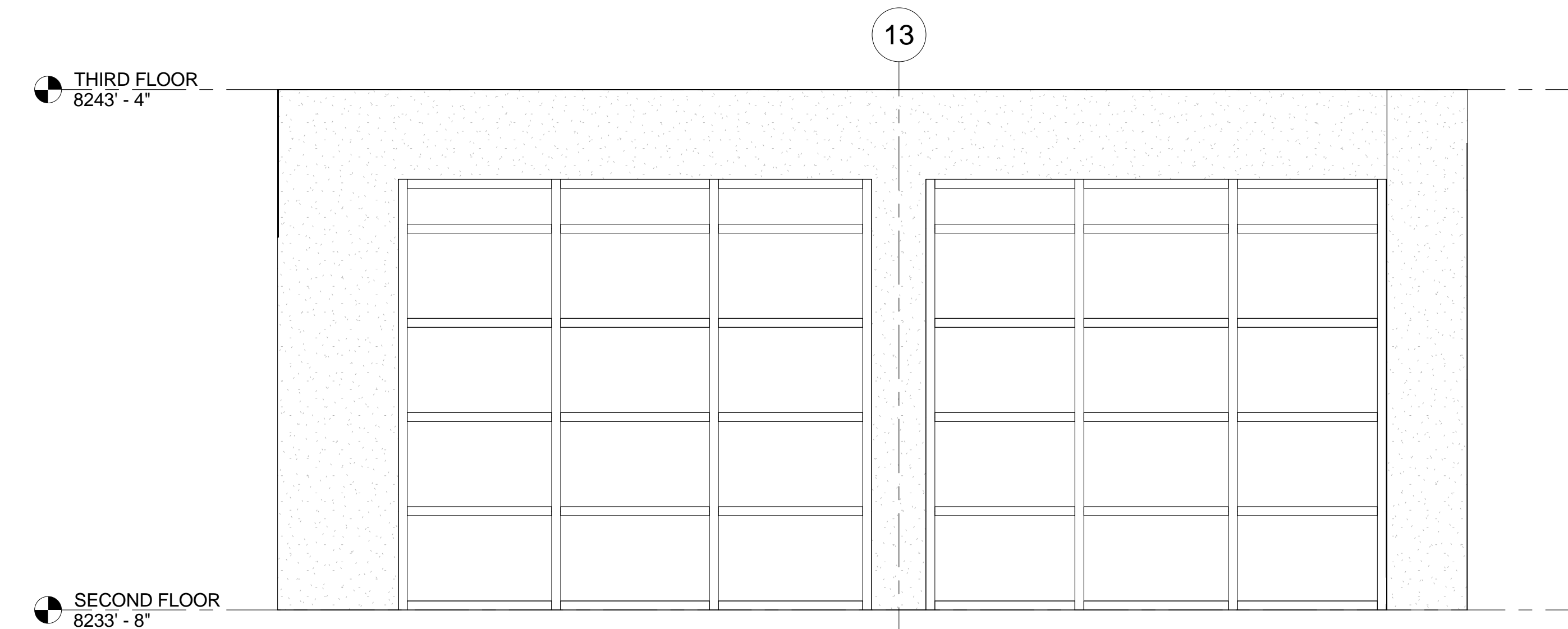
2 GYM EXPANSION - NORTHWEST  
A202 1/2" = 1'-0"



4 GYM EXPANSION - SOUTHWEST  
A202 1/2" = 1'-0"



3 GYM EXPANSION - SOUTHEAST  
A202 1/2" = 1'-0"



5 GYM STOREFRONT - EXTERIOR ELEVATION  
A202 1/2" = 1'-0"

03/02/16  
BUILDING PERMIT

Northwoods Gym Expansion

600 Vail Valley Drive  
Vail, Colorado 81657  
PROJECT # 1604



www.vailarchitects.com

1650 Fallridge Road, Suite C-1  
Vail, Colorado 81657  
1.(970) 476-4901 p.(970)476-6342

INTERIOR  
ELEVATIONS

A202